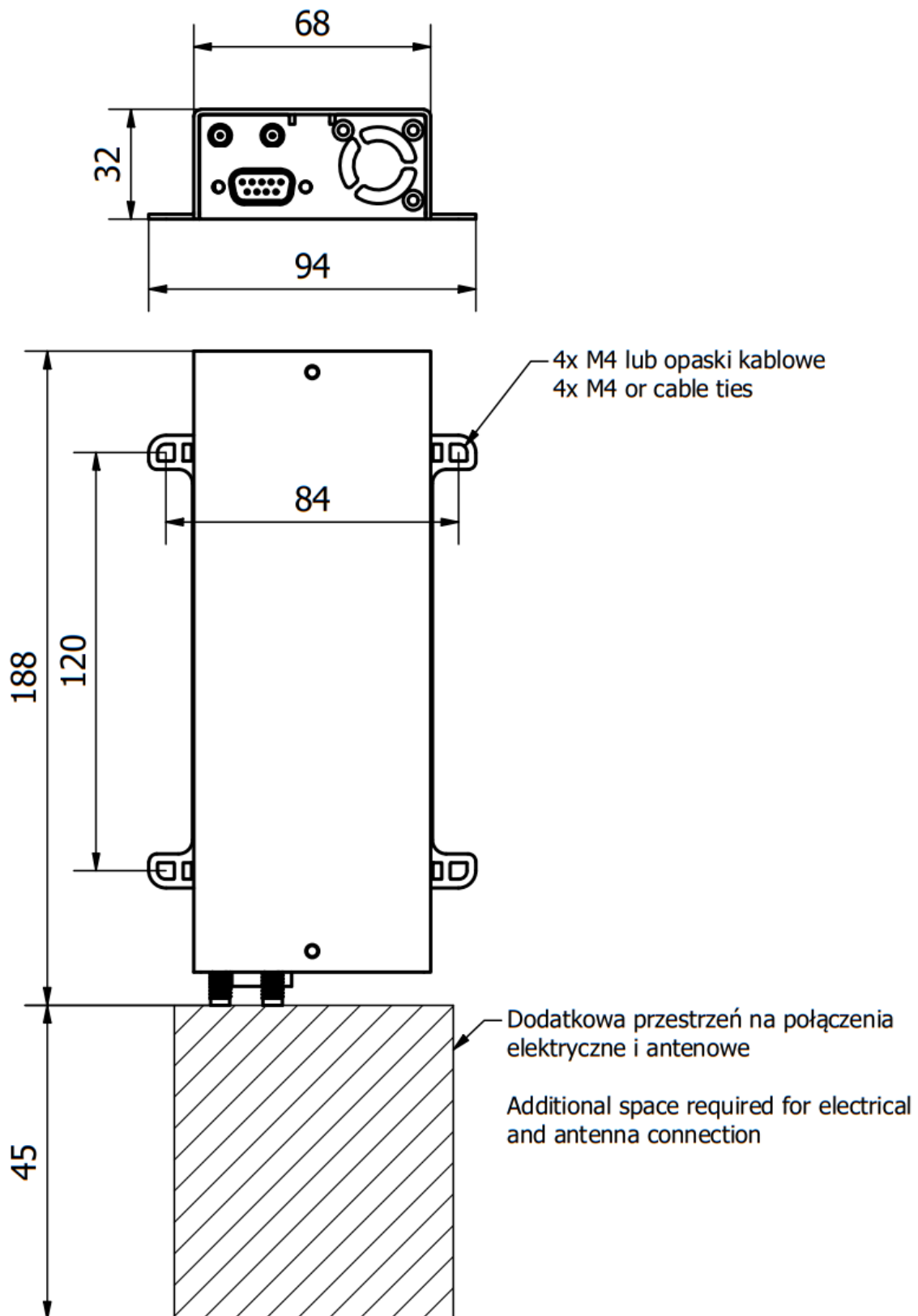


FOXTRAL

DATA SHEET



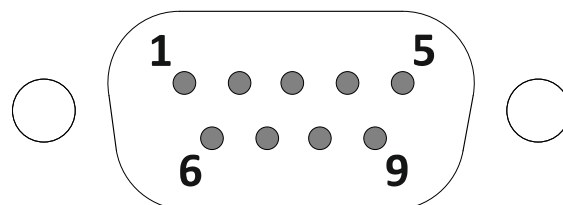
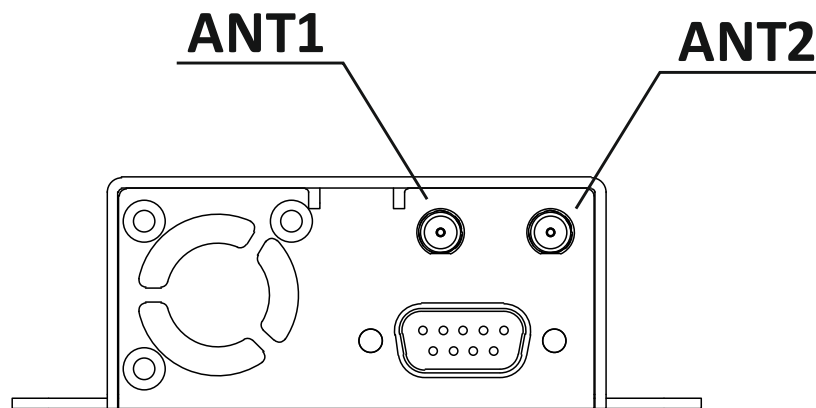


Technical Data

Operation voltage range	11V – 28V
Current	0,6 A MAX
Dimensions	188 mm x 68 mm x 32 mm
Weight	310 g.
Operation temperature range	-10 °C to + 60 °C
Receiver operating frequency range	868 MHz / 1090MHz
Operating frequency range of the transmitter	868MHz / 14dBm
other interfaces:	RS232 for Glass Cockpit
Wiring requirement	0,3 mm ²
Reverse polarity protection	YES
Warranty	2 years

set contains:

- 1 pcs - FOXTRAL
- 2 pcs - RX / TX 868 MHz / 1090 MHz antenna
- 2 pcs - Counterweight (GROUND) to the antenna
- 1 pcs - USB GPS receiver
- 1 pcs / 1.8m - Cable with a plug (power / RS232 / GPS USB)

PINOUT**POWER / GPS DATA
connector**

- | | |
|-----------------------------------|----------------------------|
| 1. Power MAX 28V (brown) | 6. USB GPS GND |
| 2. RS232 RxD (green) | 7. USB GPS DP |
| 3. RS232 TxD (yellow) | 8. USB GPS DM |
| 4. GND (white) | 9. USB GPS power 5V |
| 5. GND (shield) | |